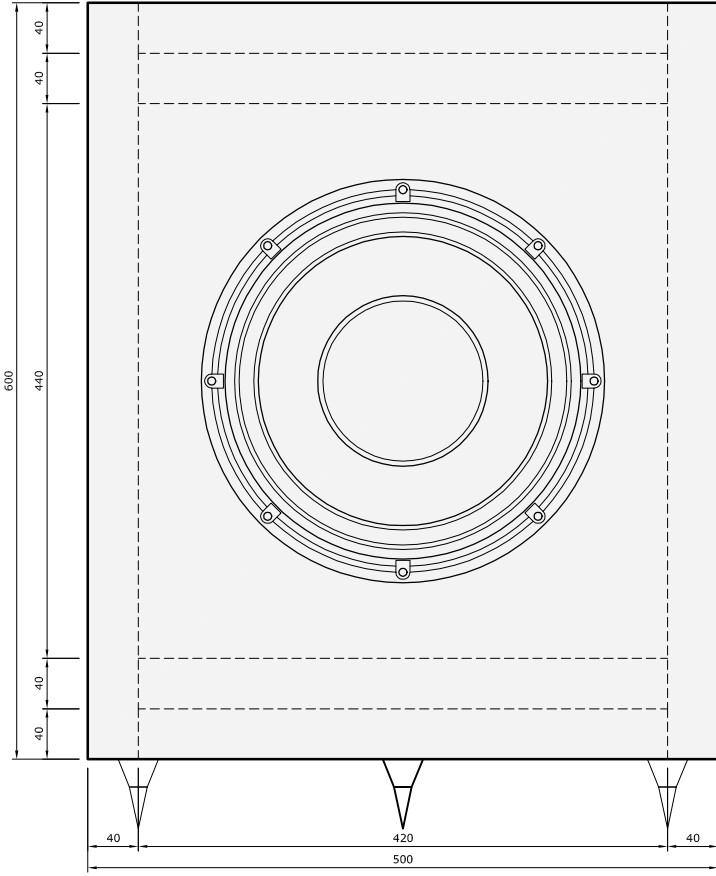
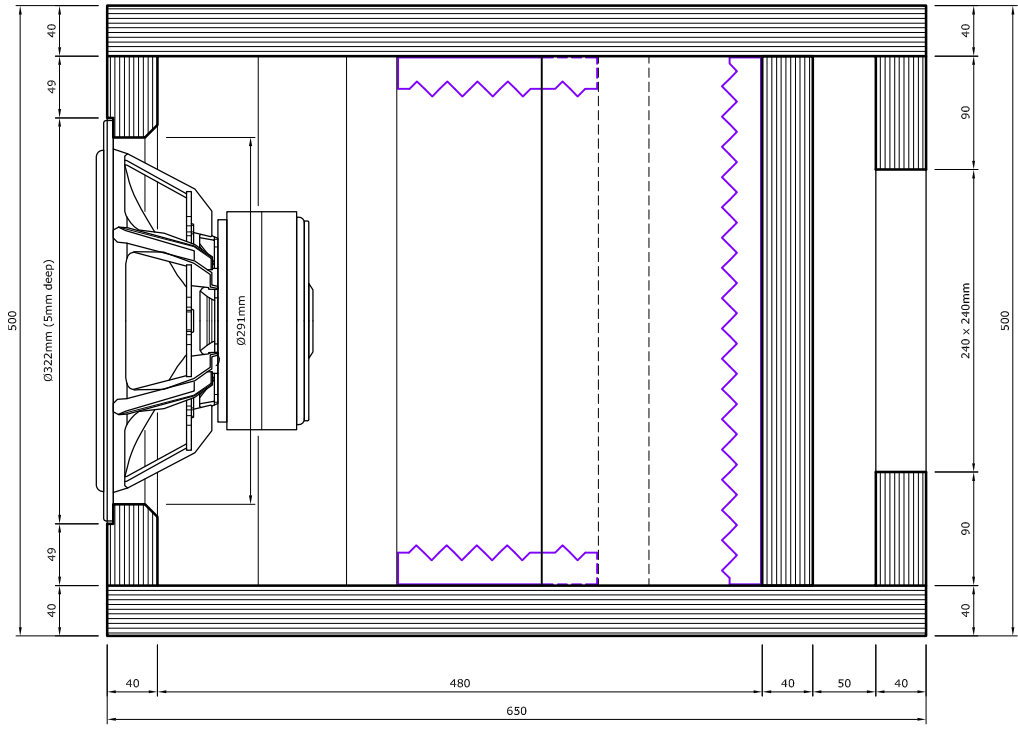


No part of this design including constructions, illustrations, schematics or other information presented here may be reproduced in any form without written or e-mail consent from Tony Gee. This design is free to use for private DIY-purposes only. Commercial use is strictly prohibited. Copyright 2015 © Humble Homemade Hifi - The Netherlands

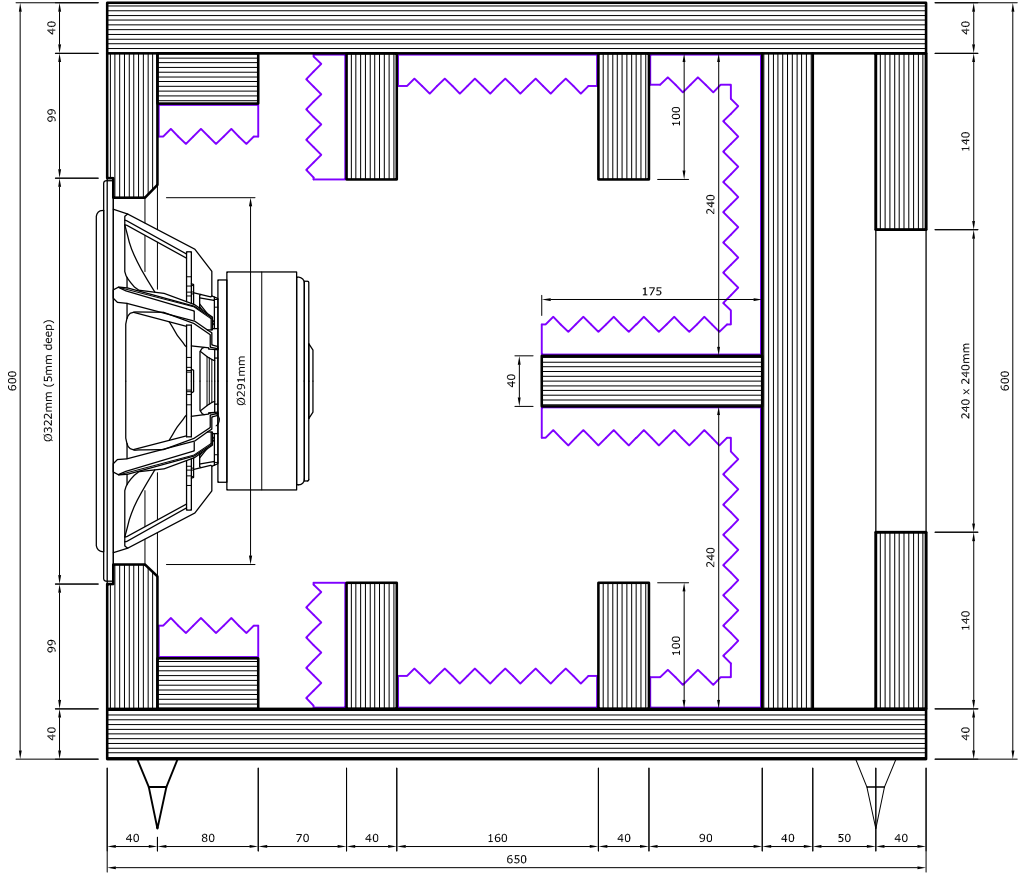
RevNo	Revision note	Date	Signature	Checked
-------	---------------	------	-----------	---------



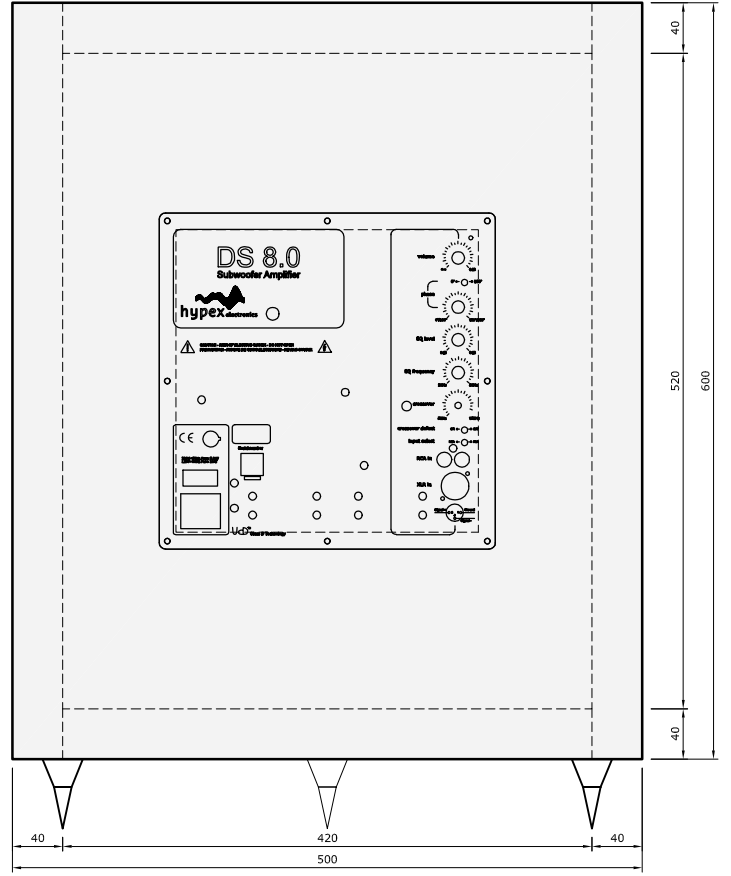
front view



horizontal section



vertical section



rear view

cabinet material: 40mm plywood, minimum density 600kg/m3
 netto volume: 90 litres closed / Qts = 0,63
 subwoofer: Scanspeak 32W4878T00 / plate-amp: Hypex DS8.0
 range: 18Hz (-3dB) / 16Hz (-6dB) / efficiency: 87dB / 2,83V

* all contacting surfaces should be fully glued
 * dampingmaterial: Intertechnik Bitumex FG4 + Intertechnik Tyrotex N30

side panel	650 x 600mm	- 2 pieces
top / bottom panel	650 x 420mm	- 2 pieces
front / rear panel	520 x 420mm	- 3 pieces
bracing A	175 x 420mm	- 1 pieces
bracing B	100 x 420mm	- 4 pieces
bracing C	80 x 420mm	- 2 pieces

Itemref	Quantity	Title/Name, designation, material, dimension etc			Article No./Reference	
Designed by Tony Gee		Checked by	Approved by - date 06-11-2015	File name Sub 32W	Date 06-11-2015	Scale A3 - 1:6
Concert Sub 32W				Humble Homemade Hifi		
				www.humblehomemadedhifi.nl		Edition 02