

No part of this design including constructions, illustrations, schematics or other information presented here may be reproduced in any form without written or e-mail consent from Tony Gee. This design is free to use for private DIY-purposes only. Commercial use is strictly prohibited. Copyright 2000 - 2015 © Humble Homemade Hifi - The Netherlands

RevNo	Revision note	Date	Signature	Checked
-------	---------------	------	-----------	---------

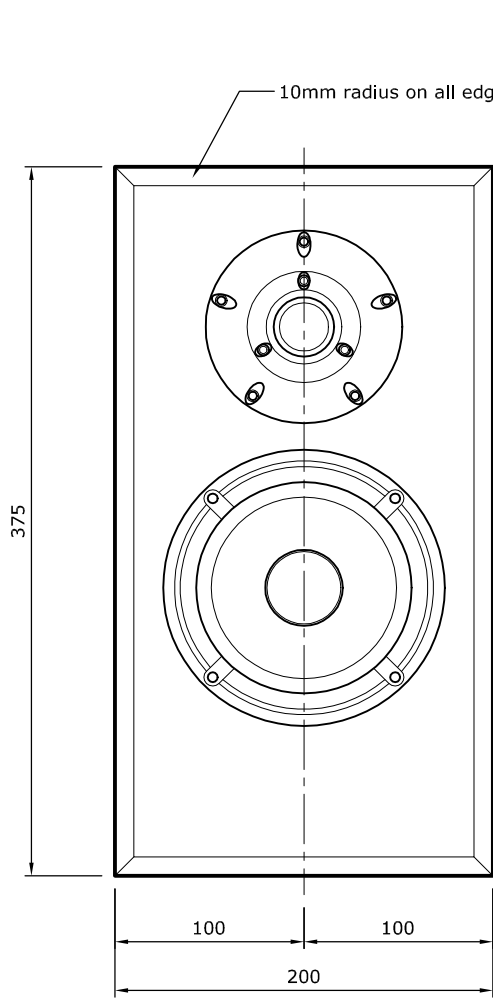
cabinet material: 22mm mdf
 netto volume: 9 litres
 range: 55Hz - 40.000Hz (-3dB)
 efficiency: 85dB / 2,83V
 nominal impedance: 8 ohms
 tweeter: Scanspeak D2604 / 8330
 woofers: Scanspeak 15W / 8434G00
 reflexport: Intertechnik Jet Set 50 - MR=98mm
 dampingmaterial: Intertechnik Damping 10
 internal wiring: Jantzen Audio 5N Supra 2x 2,50mm2

Copyright 2015 © Humble Homemade Hifi

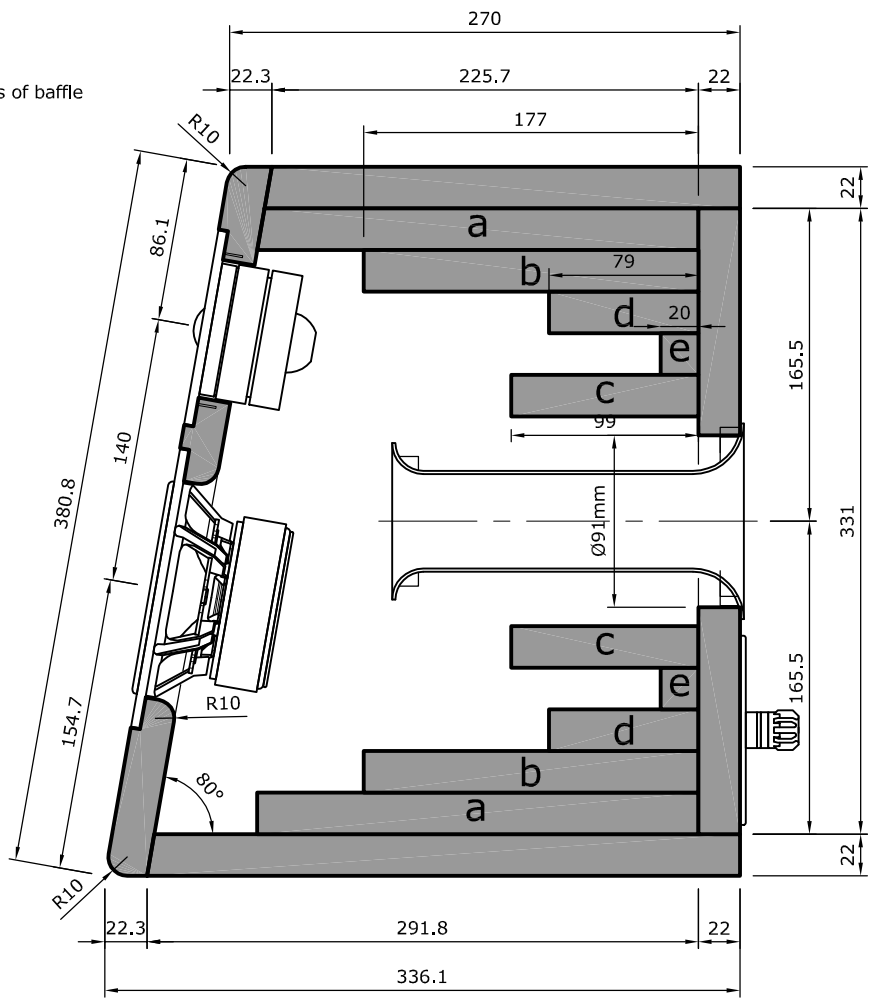
parts list 22mm mdf (for one pair of speaker cabinets)

- side panel +/-315 x 375mm - 4 pieces *
- top panel 200 x 248mm - 2 pieces *
- bottom panel 200 x 314mm - 2 pieces *
- front baffle 200 x 385mm - 2 pieces
- rear panel 156 x 331mm - 2 pieces
- internal panel a 156 x 236mm - 4 pieces
- internal panel b 156 x 177mm - 4 pieces
- internal panel c 156 x 99mm - 4 pieces
- internal panel d 156 x 79mm - 4 pieces
- internal panel e 156 x 20mm - 4 pieces

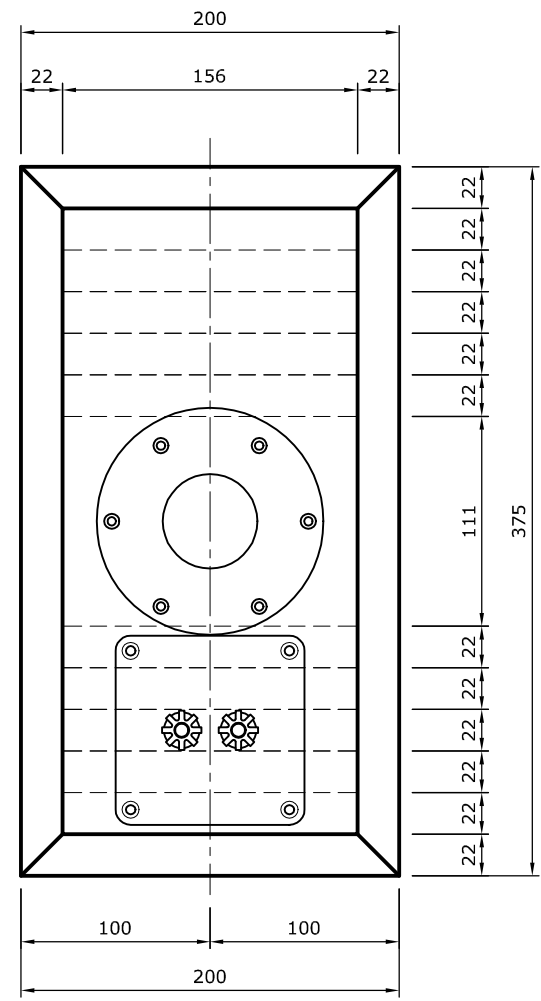
* dimensions for panels with mitered joints



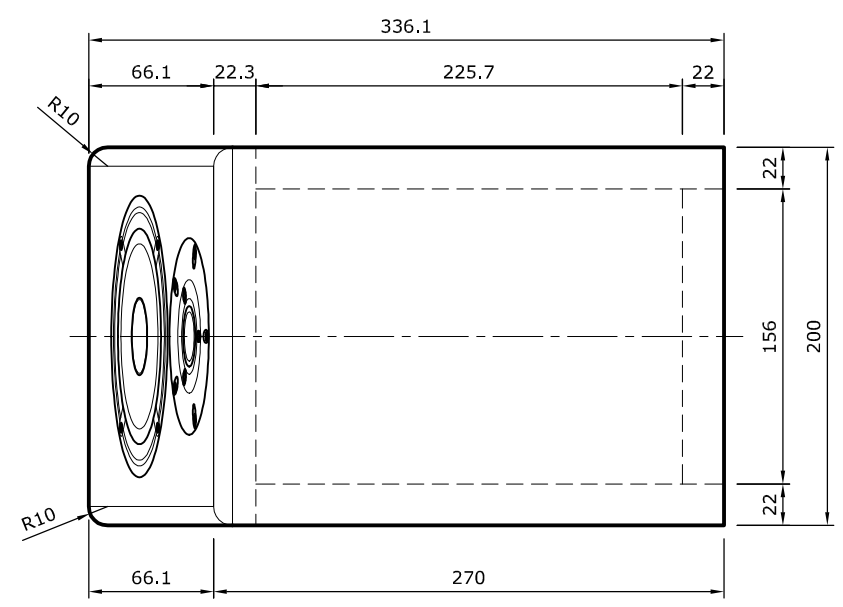
front view



vertical section



rear view



top view

-	2	High Grade DIY Loudspeaker Kit	Concertino		
Itemref	Quantity	Title/Name, designation, material, dimension etc	Article No./Reference		
Designed by Tony Gee	Checked by TG	Approved by - date 06-02-2015	File name Concertino_06	Date 06-02-2015	Scale A3 - 1:4
Concertino			Humble Homemade Hifi		