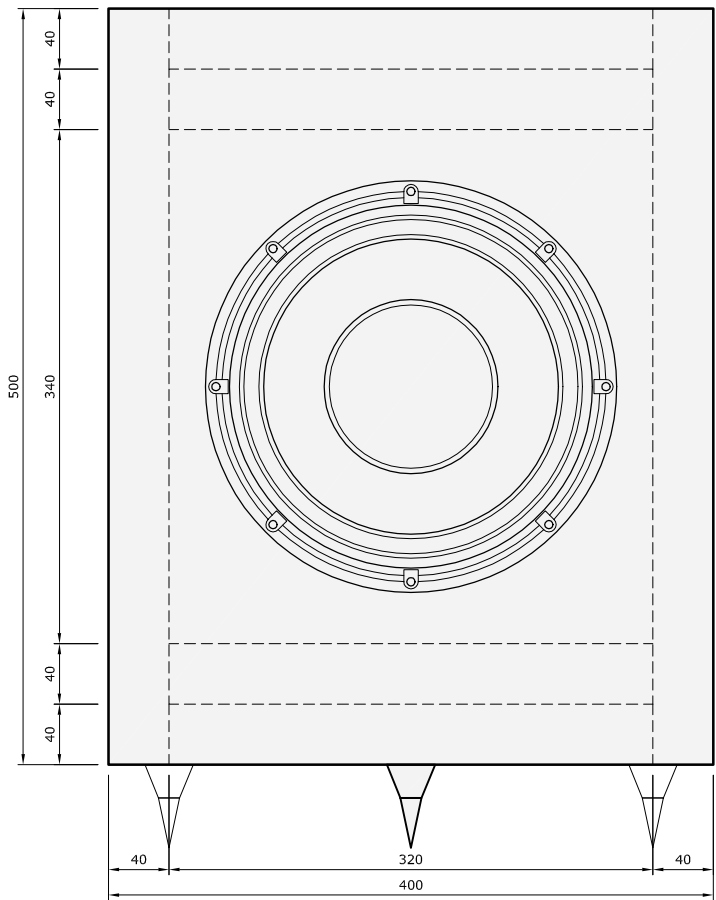
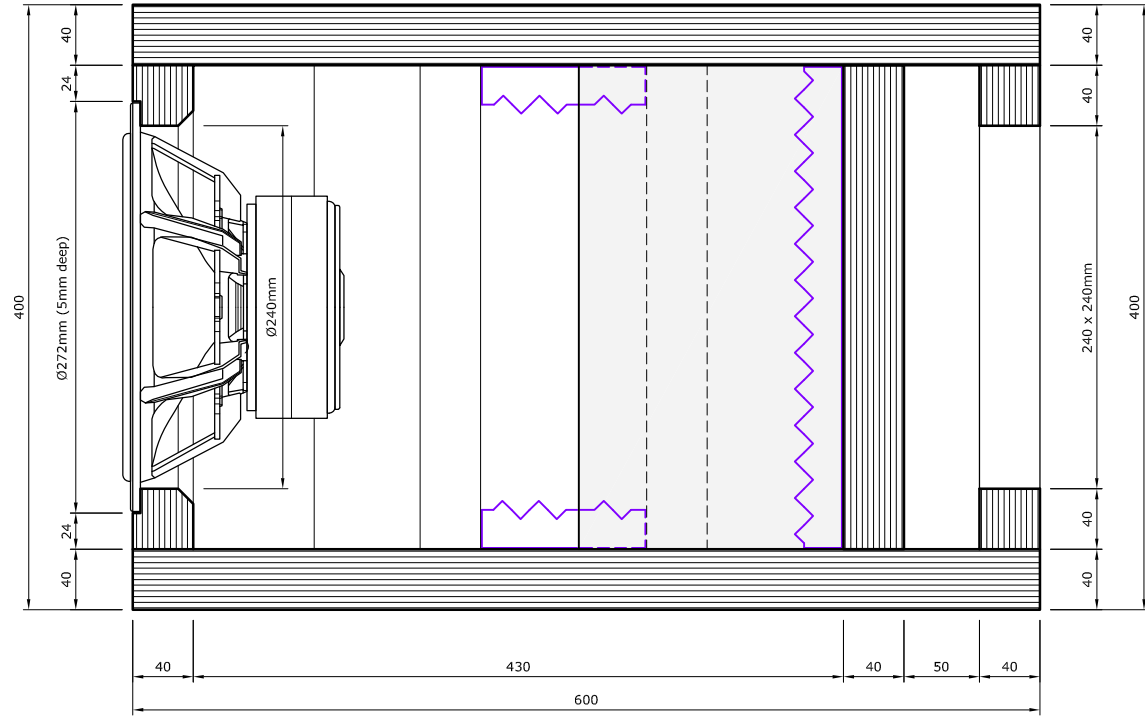


No part of this design including constructions, illustrations, schematics or other information presented here may be reproduced in any form without written or e-mail consent from Tony Gee. This design is free to use for private DIY-purposes only. Commercial use is strictly prohibited. Copyright 2014 © Humble Homemade Hifi - The Netherlands

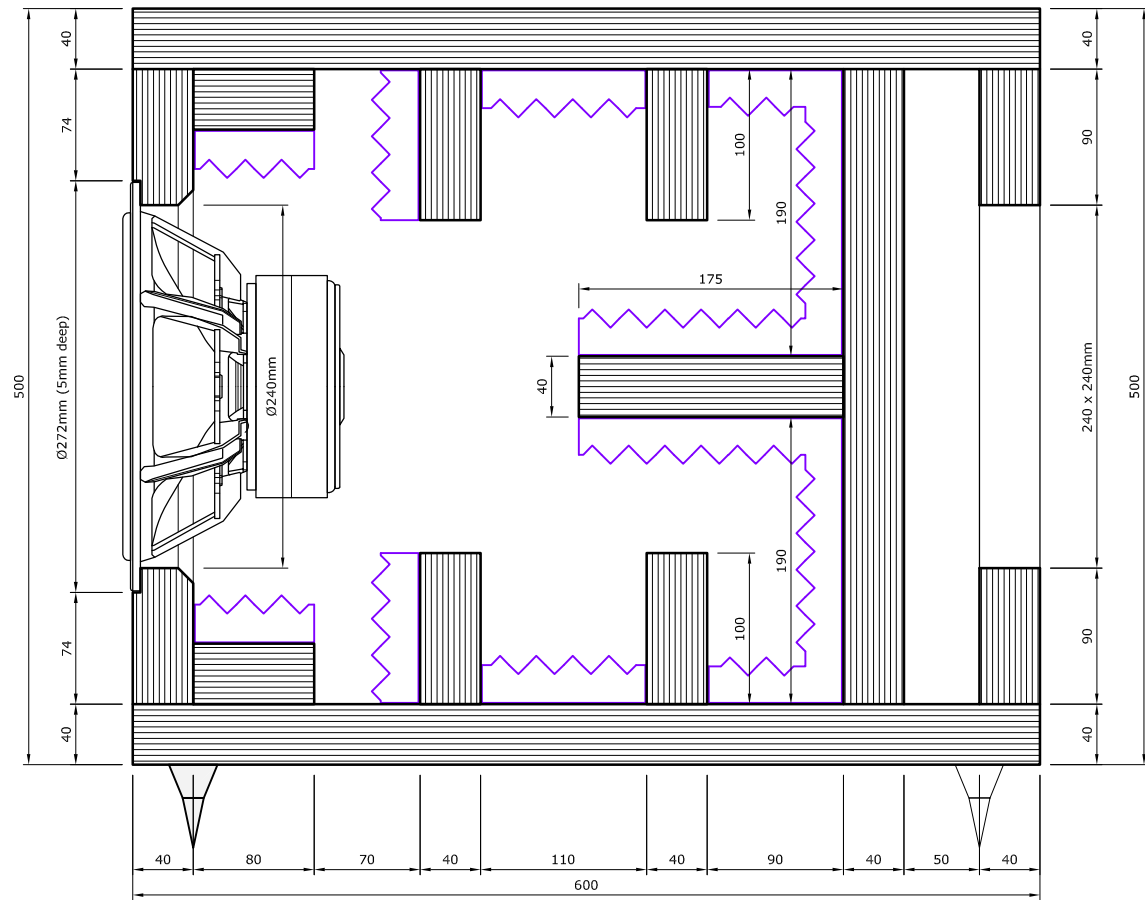
RevNo	Revision note	Date	Signature	Checked
-------	---------------	------	-----------	---------



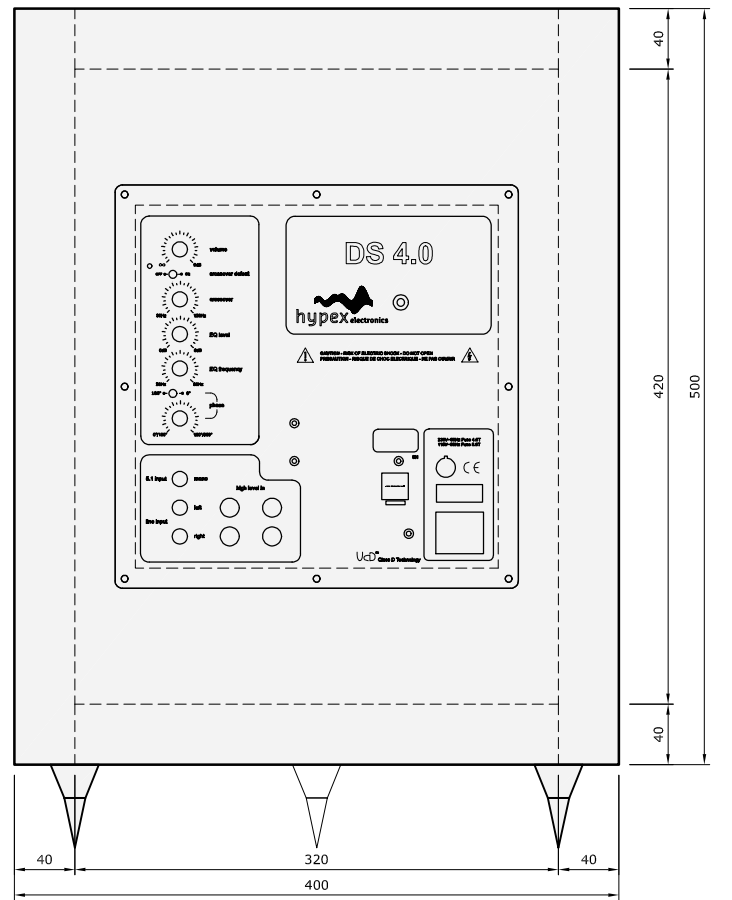
front view



horizontal section



vertical section



rear view

cabinet material: 40mm plywood, minimum density 600kg/m3
 netto volume: 48 litres closed / Qts = 0,52
 subwoofer: Scanspeak 26W4558T00 / plate-amp: Hypex DS4.0
 range: 18Hz (-3dB) / 16Hz (-6dB) / efficiency: 84dB / 2,83V

* all contacting surfaces should be fully glued
 * dampingmaterial: Intertechnik Bitumex FG4 + Intertechnik Tyrotex N30

- side panel 600 x 500mm - 2 pieces
- top / bottom panel 600 x 320mm - 2 pieces
- front / rear panel 420 x 320mm - 3 pieces
- bracing A 175 x 320mm - 1 piece
- bracing B 100 x 320mm - 4 pieces
- bracing C 80 x 320mm - 2 pieces

Itemref	Quantity	Title/Name, designation, material, dimension etc		Article No./Reference	
Designed by Tony Gee	Checked by Tony Gee	Approved by - date 30-11-2014	File name Concert Sub	Date 16-11-2014	Scale A3 - 1:5
Concert Sub			Humble Homemade Hifi		
			www.humblehomemadedhifi.nl	Edition 02	Sheet 1 of 1