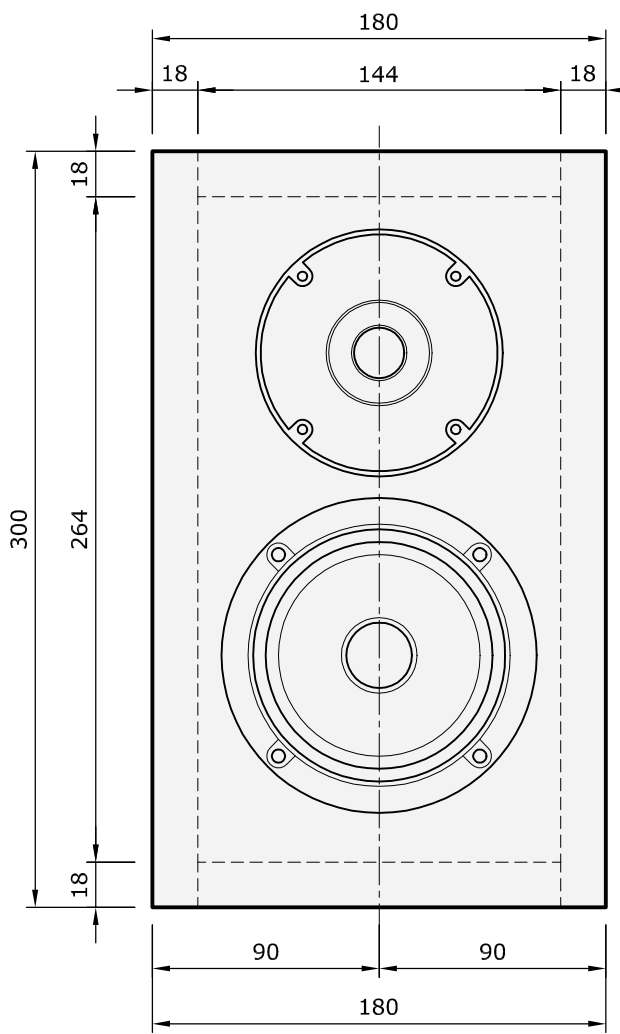
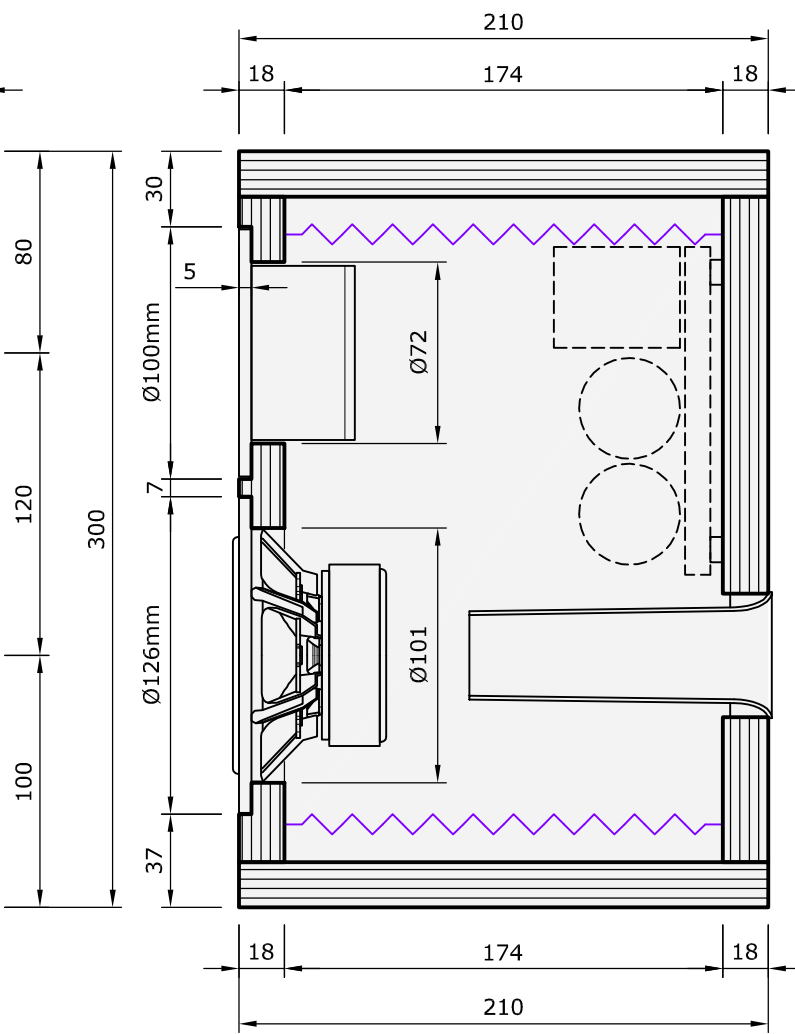


No part of this design including constructions, illustrations, schematics or other information presented here may be reproduced in any form without written or e-mail consent from Tony Gee. This design is free to use for private DIY-purposes only. Commercial use is strictly prohibited. Copyright 2014 © Humble Homemade Hifi - The Netherlands

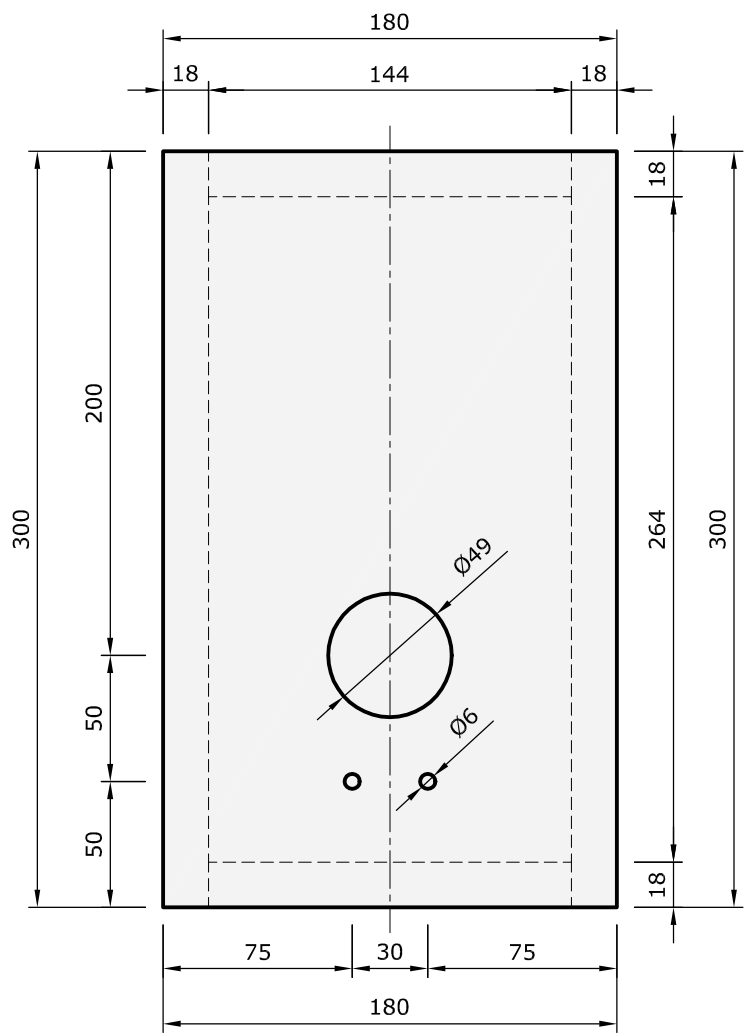
RevNo	Revision note	Date	Signature	Checked
-------	---------------	------	-----------	---------



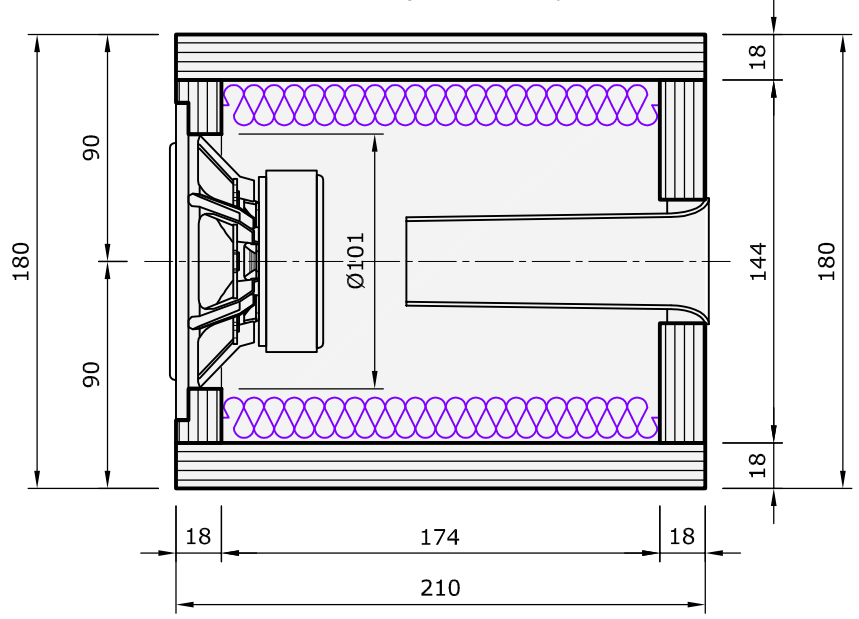
front view



vertical section



rear view



horizontal section

tweeter: Scanspeak D2010-8511 / midwoofer: Scanspeak 12W8524G00  
 cabinet material: 18mm - 13 ply Baltic Birch Marine Grade plywood / netto volume: 6 litres  
 range: 58Hz - 20.000Hz (-3dB) / efficiency: 82dB / 2,83V nominal impedance: 8 ohms

\* amounts of panels for one pair of cabinets  
 \* all contacting surfaces should be fully glued  
 \* dampingmaterial: Intertechnik Bawotumex + Tyrotex N30

side panel ..... 300 x 210mm - 4 pieces  
 top / bottom panel ..... 210 x 144mm - 4 pieces  
 front / rear panel ..... 264 x 144mm - 4 pieces

Itemref	Quantity	Title/Name, designation, material, dimension etc		Article No./Reference	
Designed by Tony Gee		Checked by Tony Gee	Approved by - date 26-08-2014	File name Concertante	Date 05-08-2014
Concertante			Humble Homemade Hifi		