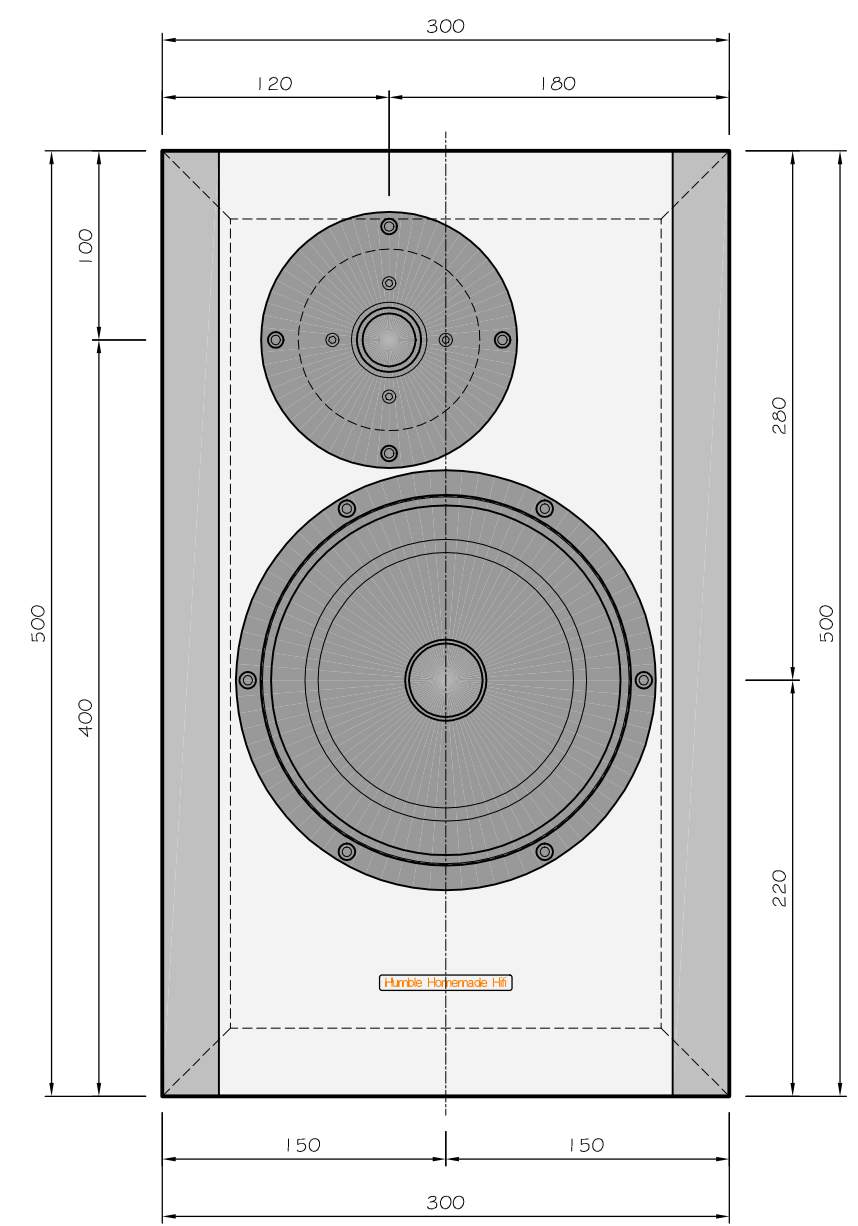
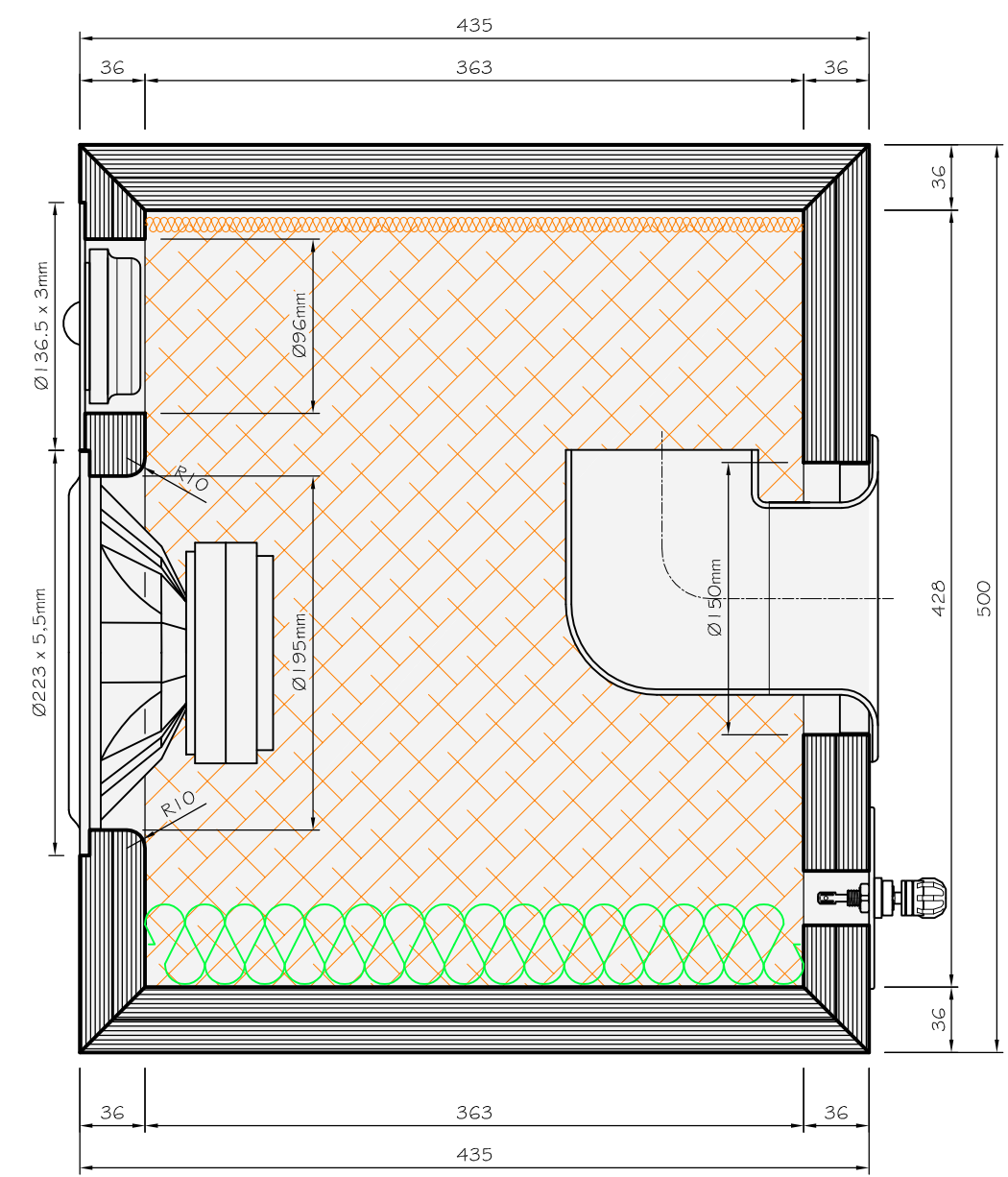


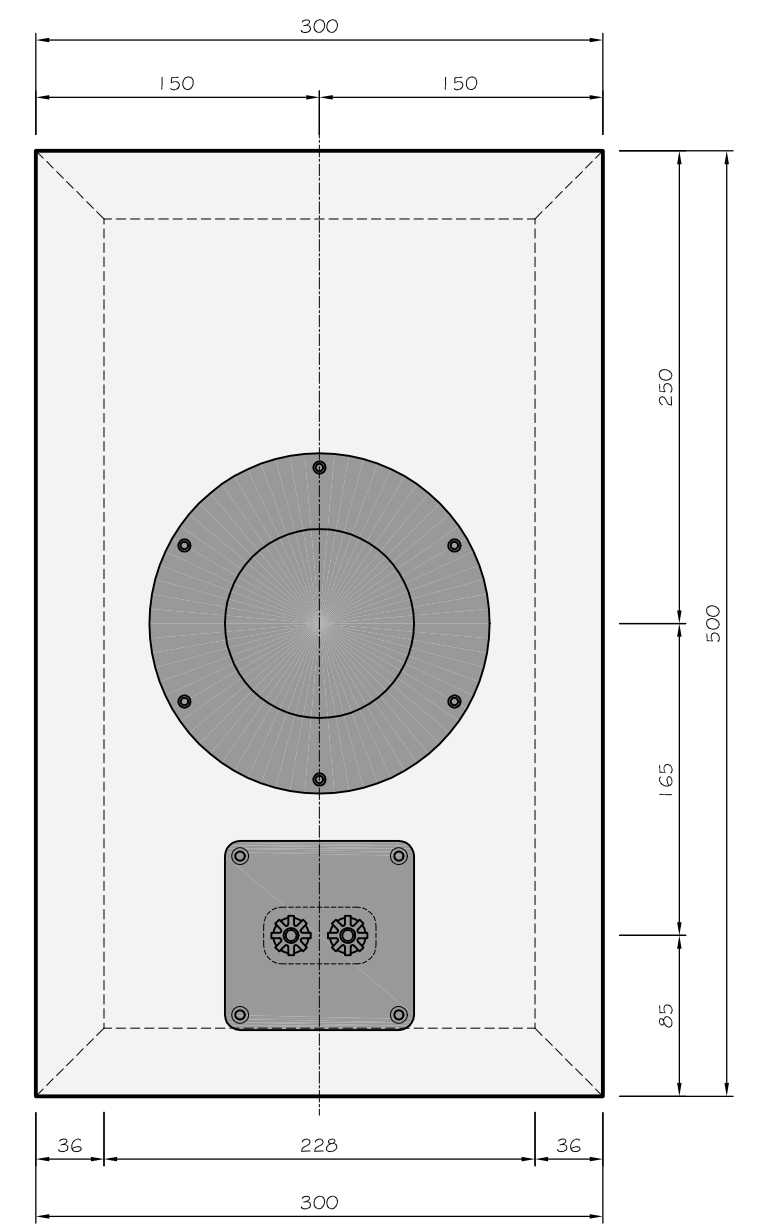
No part of this design including constructions, illustrations, schematics or other information presented here may be reproduced in any form without written or e-mail consent from Tony Gee. This design is free to use for private DIY-purposes only. Commercial use is strictly prohibited. Copyright 2018 © Humble Homemade Hifi - The Netherlands



front view



vertical section



rear view

- damping material 8mm felt
- damping material 8mm felt
- damping material 50mm multiple density polyester

tweeter: Duelund Coherent Audio 1" Precision Tweeter  
 midwoofer: Duelund Coherent Audio 8" Precision Audio Driver  
 cabinet material: 2x 18mm - 2x 13 ply Baltic Birch Marine Grade plywood (total thickness 36mm)  
 netto volume: 34 litres / range: 48Hz - 22.000Hz (-3dB) / 37Hz - 35.000Hz (-10dB)  
 efficiency: 88,5dB / 2,83V nominal impedance: 8 ohms

\* all contacting surfaces should be fully glued

Itemref	Quantity	Title/Name, designation, material, dimension etc			Article No./Reference
Designed by Tony Gee	Checked by Tony Gee	Approved by - date 31-08-2018	File name DCA Monitor Mk-II	Date 128-08-2018	Scale A3 - 1:4
DCA Monitor Mk-II			Humble Homemade Hifi		
			www.humblehomemadehifi.nl	Edition 01	Sheet 1 of 1